

NOTES

Materials:

- 19,650' - 6" Multi-Flow Part# 06000
- 131' - 6" Coupler Part #06002
- 29 - 6" Multi-Flow to 3" PVC Manifold Part #06053
- 100 - 6" Multi-Flow Vent Stack to 3" PVC Part #06013
- 4 - 6" Horizontal Wye Part #06016
- 34 - 6" Horizontal Cross Part #06018
- 2,900 ft. - 3" Dia PVC/ABS
- 1,200 ft. - 4" Dia HDPE
- 40 - 3" PVC/ABS Coupler
- 10 - 4" HDPE Coupler
- 29 - 4" HDPE Tee
- 111 - 3" PVC Tee
- 6 - 4" HDPE 45 Degree
- 10 - 3" Vent Assembly

Performance Data

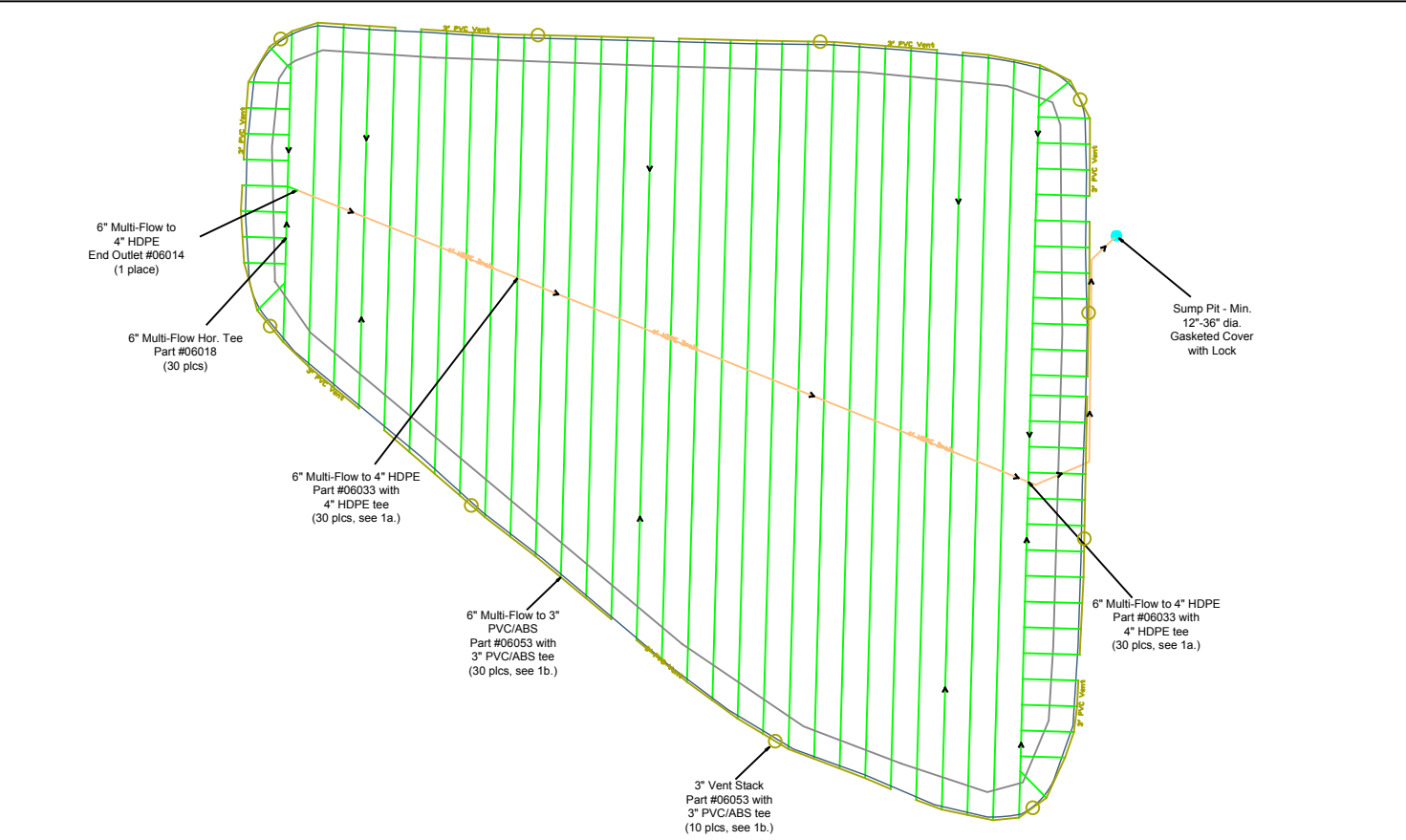
- Collection Area:** 480,400 sq ft.
- Flow Capacity:** 104,000 gph
- Outlet Capacity:** 3,150 gph

Project Details

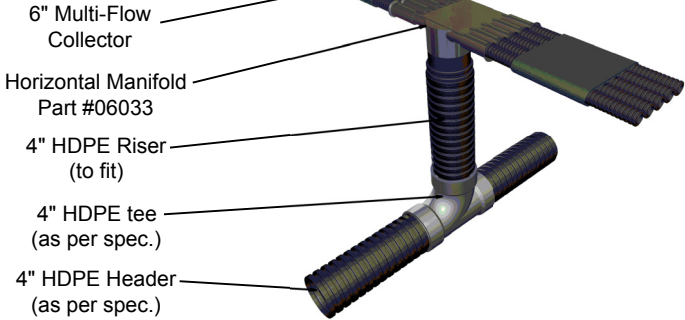
- Name:** Sample Lagoon
- Author:** ATP
- Date:** 01.01.2016



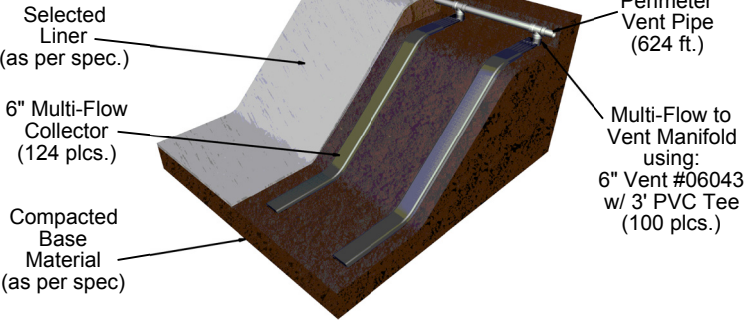
Multi-Flow is a product of Varicore Technologies, Inc.
US Patent# 4995759



1a Info:



1b Info:



Specific Notes:

*Contained information is for reference only. Not intended for use, as an engineered spec. It is the responsibility of the user to ensure the suitability of Multi-Flow products, for the outlined project.

Line Spacing - System will be comprised of 6" lines on lagoon base and slope, spaced 25 ft. (fitting-to-fitting). Actual spacing may be different, depending on angle.

Transport Connection - The 6" Multi-Flow DRAIN will connect with the HDPE transport in a trench, using 4" HDPE, at the same location within the same trench (see 1a). Standard round pipe (4") may be custom fit on-site, allowing for variations in depth. The 6" Multi-Flow VENT will connect with a 3" PVC manifold around the outside perimeter. Standard round pipe (3") may be custom fit on-site and will vent to atmosphere, per the specified design.

Connection Points - Multi-Flow Connectors will join together using the appropriate coupler. At each of the coupled locations, it is suggested that a 2" PVC tape be used to secure the geotextile, to the connection and PVC cement for connections utilizing PVC pipe.